



爱浦克施电力  
IPKIS POWER-TECH

# 产品选型手册

## Product Selection Manual

- 光伏熔断器 Photovoltaic Fuse
- 光伏连接器 Photovoltaic Connector
- 塑料密封箱 Plastic Sealed Box
- 防水接头 Waterproof Joint
- 光伏汇流箱监控器 PV combiner Box Monitor



上海爱浦克施电力科技股份有限公司  
SHANGHAI IPKIS POWER TECHNOLOGY CO., LTD.



## 公司简介

上海爱浦克施电力科技股份有限公司自2003年成立以来，一直本着“想得总是多一点，让创新推动世界进步”的经营理念，始终坚持以科技创新满足客户需求，专利申请形成了良性循环，获得了上海市“高新技术企业”的称号，2019年公司荣誉入选央视 **CCTV**【匠心智造】栏目，拍摄了纪录片《探索连接的奥秘》，真实展现了爱浦克施专心专注十几年坚持科技创新服务客户的历程。

通过十几年的积累和沉淀，爱浦克施逐渐形成了以新能源光伏配电行业配套服务的专业发展方向，秉承“一切都是为了客户”的服务宗旨，针对客户的需求痛点和市场空白处，敢于创新设计思路，大胆应用新的工艺方法，推出独具特色的光伏熔断器、光伏连接器、塑料密封箱等系列产品，赢得了国内外市场的认可和客户的好评，并成为合肥阳光电源等一流企业的合格供方。

爱浦克施的使命：不断为全球客户研制生产富有创意高可靠适用的工业配套产品。

爱浦克施的愿景：成为一流精干的专业化公司。

爱浦克施价值观：为客户创造价值，为奋斗者搭建舞台，推动企业可持续发展。

## Company Brief

Since its establishment in 2003, Shanghai IPKIS Electric Power Technology Co., Ltd. has been adhering to the business philosophy of "always think more, let innovation promote the progress of the world", always adhere to the scientific and technological innovation to meet the needs of customers, patent application has formed a virtuous circle, won the title of "high-tech enterprise" in Shanghai, and won the honor of CCTV in 2019 The program filmed the documentary "exploring the mystery of connection", which truly shows the course of IPKIS's dedication to scientific and technological innovation and customer service for more than ten years.

Through more than ten years of accumulation and precipitation, IPKIS has gradually formed a professional development direction of supporting services for the new energy photovoltaic distribution industry. Adhering to the service tenet of "everything is for the customer", aiming at the customer's demand pain points and market gaps, it dares to innovate design ideas, boldly apply new technology methods, and introduces unique photovoltaic fuses, photovoltaic connectors, photovoltaic connectors, and so on Plastic sealed box and other series of products have won the recognition of domestic and foreign markets and high praise of customers, and become the qualified supplier of Hefei sunshine power supply and other first-class enterprises.

**IPKIS's mission:** to continuously develop and produce innovative, reliable and applicable industrial supporting products for customers all over the world.

**IPKIS's vision:** to become a first-class and capable professional company.

**IPKIS's values:** create value for customers, build a stage for the striver, and promote the sustainable development of enterprises.



IP65、IP66等级测试  
IP65, IP66 Rating Test



IP67等级测试 硬度测试  
IP67 Rating Test Hardness Test



大电流温升试验  
High Current Temperature Rise Test



ROHS测试  
ROHS Test



盐雾测试  
Salt Spray Test



耐压试验  
Withstand Voltage Test



高低温测试  
High and Low Temperature Test



熔断器综合性能测试  
Comprehensive Performance Test of Fuse



插件温升试验  
Plug-in Temperature Rise Test

<p>中华人民共和国国家版权局 计算机软件著作权登记证书</p> <p>软件名称: 光伏汇流箱一体控制软件 V1.0</p> <p>著作权人: 上海爱迪电力科技股份有限公司</p> <p>开发完成日期: 2019年12月18日</p> <p>首次发表日期: 2019年12月18日</p> <p>取得方式: 原始取得</p> <p>权利期限: 全部权利</p> <p>登记号: 2020SR098991</p> <p>备注: (计算机软件著作权) 著作权人声明: 以上事项予以登记, 由中国版权保护中心审核, 予以受理予以登记。</p>	<p>发明专利证书</p> <p>发明名称: 储能系统</p> <p>发明人: 陈松, 徐志洪</p> <p>专利号: ZL 2018 1 0652061.1</p> <p>申请日期: 2018年09月03日</p> <p>专利权人: 上海爱迪电力科技股份有限公司</p> <p>授权公告日: 2019年11月07日</p>	<p>发明专利证书</p> <p>发明名称: 储能系统</p> <p>发明人: 陈松, 徐志洪</p> <p>专利号: ZL 2018 1 0652061.1</p> <p>申请日期: 2018年09月03日</p> <p>专利权人: 上海爱迪电力科技股份有限公司</p> <p>授权公告日: 2019年11月07日</p>	<p>外观设计专利证书</p> <p>外观设计名称: 储能系统(外观设计)</p> <p>设计人: 陈松, 徐志洪</p> <p>专利号: ZL 2019 2 1001053.5</p> <p>申请日期: 2019年08月07日</p> <p>专利权人: 上海爱迪电力科技股份有限公司</p> <p>授权公告日: 2020年02月13日</p>	<p>实用新型专利证书</p> <p>实用新型名称: 双回路大功率储能</p> <p>发明人: 陈松, 徐志洪</p> <p>专利号: ZL 2019 2 1001053.5</p> <p>申请日期: 2019年08月07日</p> <p>专利权人: 上海爱迪电力科技股份有限公司</p> <p>授权公告日: 2020年02月13日</p>
--	--	--	--	--

<p>实用新型专利证书</p> <p>实用新型名称: 储能系统</p> <p>发明人: 陈松, 徐志洪</p> <p>专利号: ZL 2019 2 1001053.5</p> <p>申请日期: 2019年08月07日</p> <p>专利权人: 上海爱迪电力科技股份有限公司</p> <p>授权公告日: 2020年02月13日</p>	<p>实用新型专利证书</p> <p>实用新型名称: 储能系统</p> <p>发明人: 陈松, 徐志洪</p> <p>专利号: ZL 2019 2 1001053.5</p> <p>申请日期: 2019年08月07日</p> <p>专利权人: 上海爱迪电力科技股份有限公司</p> <p>授权公告日: 2020年02月13日</p>	<p>实用新型专利证书</p> <p>实用新型名称: 储能系统</p> <p>发明人: 陈松, 徐志洪</p> <p>专利号: ZL 2019 2 1001053.5</p> <p>申请日期: 2019年08月07日</p> <p>专利权人: 上海爱迪电力科技股份有限公司</p> <p>授权公告日: 2020年02月13日</p>	<p>实用新型专利证书</p> <p>实用新型名称: 储能系统</p> <p>发明人: 陈松, 徐志洪</p> <p>专利号: ZL 2019 2 1001053.5</p> <p>申请日期: 2019年08月07日</p> <p>专利权人: 上海爱迪电力科技股份有限公司</p> <p>授权公告日: 2020年02月13日</p>	<p>实用新型专利证书</p> <p>实用新型名称: 储能系统</p> <p>发明人: 陈松, 徐志洪</p> <p>专利号: ZL 2019 2 1001053.5</p> <p>申请日期: 2019年08月07日</p> <p>专利权人: 上海爱迪电力科技股份有限公司</p> <p>授权公告日: 2020年02月13日</p>
--	--	--	--	--

<p>CTI 华测检测</p> <p>检测报告 Test Report</p> <p>报告编号: CT20190827076</p> <p>客户名称: 上海爱迪电力科技股份有限公司</p> <p>检测项目: 储能系统</p> <p>检测日期: 2019年08月27日</p> <p>检测地点: 上海爱迪电力科技股份有限公司</p> <p>检测人员: 徐志洪</p>	<p>STIEE</p> <p>检验报告 Test Report</p> <p>产品名称: 储能系统</p> <p>型号: AMJ1</p> <p>委托方: 上海爱迪电力科技股份有限公司</p> <p>检测日期: 2019年08月27日</p>	<p>MA</p> <p>检验报告 TEST REPORT</p> <p>产品名称: SMC 储能</p> <p>型号: SMC 储能</p> <p>委托方: 上海爱迪电力科技股份有限公司</p> <p>检测日期: 2019年08月27日</p>	<p>STIEE</p> <p>检验报告 Test Report</p> <p>产品名称: 储能</p> <p>型号: SMC 储能</p> <p>委托方: 上海爱迪电力科技股份有限公司</p> <p>检测日期: 2019年08月27日</p>	<p>STIEE</p> <p>检验报告 Test Report</p> <p>产品名称: 储能</p> <p>型号: AP1-SBW</p> <p>委托方: 上海爱迪电力科技股份有限公司</p> <p>检测日期: 2019年08月27日</p>
--	--	---	--	---

<p>MA</p> <p>检验报告</p> <p>产品名称: 储能</p> <p>型号: SMC 储能</p> <p>委托方: 上海爱迪电力科技股份有限公司</p> <p>检测日期: 2019年08月27日</p>	<p>MA</p> <p>检验报告</p> <p>产品名称: 储能</p> <p>型号: SMC 储能</p> <p>委托方: 上海爱迪电力科技股份有限公司</p> <p>检测日期: 2019年08月27日</p>	<p>MA</p> <p>检验报告</p> <p>产品名称: 储能</p> <p>型号: SMC 储能</p> <p>委托方: 上海爱迪电力科技股份有限公司</p> <p>检测日期: 2019年08月27日</p>	<p>MA</p> <p>检验报告</p> <p>产品名称: 储能</p> <p>型号: SMC 储能</p> <p>委托方: 上海爱迪电力科技股份有限公司</p> <p>检测日期: 2019年08月27日</p>	<p>MA</p> <p>检验报告</p> <p>产品名称: 储能</p> <p>型号: SMC 储能</p> <p>委托方: 上海爱迪电力科技股份有限公司</p> <p>检测日期: 2019年08月27日</p>
---	---	---	---	---







## 目录 Contents



### A P01~17

光伏熔断器 Photovoltaic fuse  
熔芯 Fusible core  
熔断盒 Fuse box

### B P18~36

塑料密封箱 Plastic sealed box  
潜水艇系列 Submarine series  
SMC塑料箱 SMC plastic box  
PC/ABS塑料箱 PC/ABS plastic box



### C P37~41

光伏连接器 Photovoltaic connector  
AMC4 1500V  
AMC4 1000V

### D P42~44

防水接头 Waterproof joint



### E P45~50

光伏汇流箱监控器 PV combiner box monitor  
分流式 Shunt type  
霍尔式 Hall type

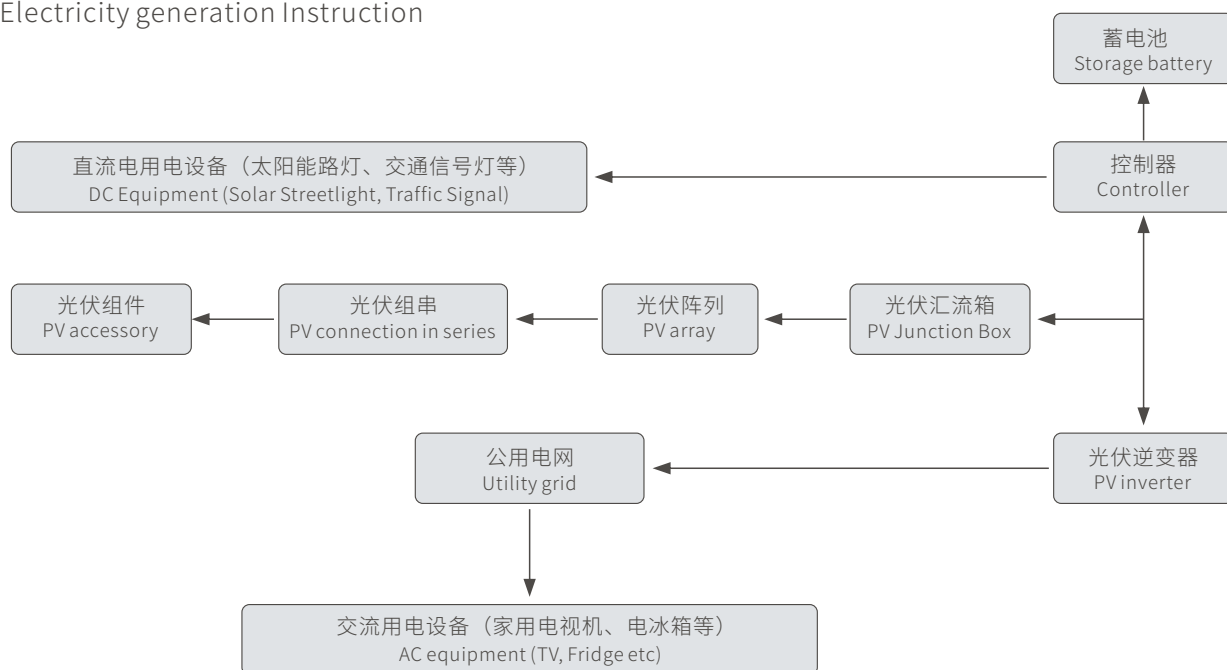
## 太阳能光伏系统过电流保护用直流熔断器

### DC Fuse For Protecting In Solar Photovoltaic System



## 光伏发电系统简介

### PV Electricity generation Instruction



## 光伏熔断器

### Photovoltaic Fuse

#### ARX-1038 2A-30A 1000V DC

额定电压:1000V

额定电流:2A-30A

熔芯规格:10 X 38mm

保护特性:gPV

标准:GB/T 13539.6 IEC 60269-6

分断能力:20kA

Volts:1000V

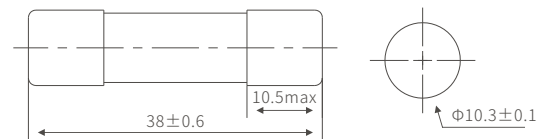
Amps:2A-30A

Fusible Core Specification:10 X 38mm

Class of Operation:gPV

Standard:GB/T 13539.6 IEC 60269-6

Breaking Capacity:20kA



### 主要技术参数

#### Main Technical Data

产品型号 Product number	额定电流 Current Rating	焦耳积分 I <sup>2</sup> T (A <sup>2</sup> S)		功率损耗 Watts Loss	
		Pre-arcing	Total clear	0.8I <sub>n</sub>	1.0I <sub>n</sub>
ARX-1038	2	1.2	3.3	0.68	1.36
ARX-1038	3	3.9	11	0.75	1.42
ARX-1038	4	10	27	0.94	1.58
ARX-1038	5	18	48	0.98	1.83
ARX-1038	6	31	89	1.10	1.84
ARX-1038	8	3.1	31	1.13	1.86
ARX-1038	10	7.2	68	1.21	2.08
ARX-1038	12	16	136	1.38	2.62
ARX-1038	15	24	215	1.67	2.95
ARX-1038	20	38	392	1.92	3.12
ARX-1038	25	71	508	2.10	3.46
ARX-1038	30	102	821	2.30	3.78



## 光伏熔断器

### Photovoltaic Fuse

#### ARX-1065 2A-20A 1500V DC

额定电压:1500V

额定电流:2A-20A

熔芯规格:10 X 65mm

保护特性:gPV

标准:GB/T 13539.6 IEC 60269-6

分断能力:20kA

Volts:1000V

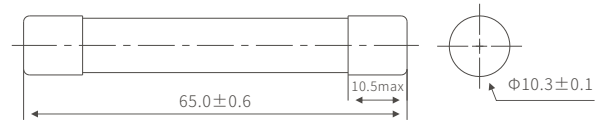
Amps:2A-20A

Fusible Core Specification:10 X 65mm

Class of Operation:gPV

Standard:GB/T 13539.6 IEC 60269-6

Breaking Capacity:20kA



### 主要技术参数

#### Main Technical Data

产品型号 Product number	额定电流 Current Rating	焦耳积分 I <sup>2</sup> T (A <sup>2</sup> S)		功率损耗 Watts Loss	
		Pre-arcing	Total clear	0.8In	1.0In
ARX-1065	2	1.2	3.3	0.68	1.36
ARX-1065	3	3.9	11	0.75	1.42
ARX-1065	4	10	27	0.94	1.58
ARX-1065	5	18	48	0.98	1.83
ARX-1065	6	31	89	1.10	1.84
ARX-1065	8	3.1	31	1.13	1.86
ARX-1065	10	7.2	68	1.21	2.08
ARX-1065	12	16	136	1.38	2.62
ARX-1065	15	24	215	1.67	2.95
ARX-1065	20	38	392	1.92	3.12



## 光伏熔断器

### Photovoltaic Fuse

#### ARX-1085 2A-25A 1500V DC

额定电压:1500V

额定电流:2A-25A

熔芯规格:10 X 85mm

保护特性:gPV

标准:GB/T 13539.6 IEC 60269-6

分断能力:20kA

Volts:1500V

Amps:2A-25A

Fusible Core Specification:10 X 85mm

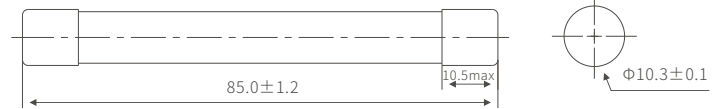
Class of Operation:gPV

Standard:GB/T 13539.6 IEC 60269-6

Breaking Capacity:20kA

## 主要技术参数

### Main Technical Data

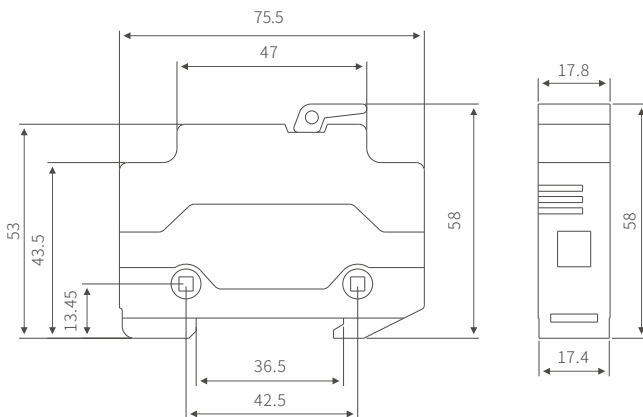


产品型号 Product number	额定电流 Current Rating	焦耳积分 I <sup>2</sup> T (A <sup>2</sup> S)		功率损耗 Watts Loss	
		Pre-arcing	Total clear	0.8In	1.0In
ARX-1085	2	4	8	1.0	2.0
ARX-1085	3	6	11	1.1	2.1
ARX-1085	4	8	14	1.2	2.2
ARX-1085	5	11	22	1.4	2.4
ARX-1085	6	15	30	1.5	2.6
ARX-1085	8	9	35	1.8	3.0
ARX-1085	10	10	98	2.2	3.5
ARX-1085	12	12	120	2.5	3.8
ARX-1085	15	14	170	3.0	4.8
ARX-1085	20	34	400	3.5	6.2
ARX-1085	25	65	550	4.0	7.2

## 光伏熔断器

Photovoltaic Fuse

ARD-32A(X)/1000V-10x38



### 主要技术参数

额定电压：1000VDC

额定电流：32A

适配熔芯规格：10 x 38mm

保护特性：gPV

壳体材料：PBT

耐受温度：-40°C~120°C

外壳阻燃等级：UL94-V0

配装导轨规格：TH35

接线螺钉力矩：2.5N.m~3N.m

导体截面积：2.5~16mm<sup>2</sup>

安装支持：导轨

I<sub>pk</sub> 额定峰值耐受电流：20kA

产品认证：TUV、CE、RoHS

保护性处理：TH

存储环境温度：-40~80°C

标准：GB14048 IEC60269

### Main Technical Data

Rated voltage: 1000VDC

Rated current: 32A

Suitable fusible core specification: 10 x 38mm

Protection characteristics: gPV

Shell material: PBT

Temperature tolerance: -40°C~120°C

Flame retardant rating of shell: UL94-V0

Fitted rail specification: TH35

Terminal screw torque: 2.5N.m~3N.m

Conductor cross-sectional area: 2.5~16mm<sup>2</sup>

Installation support: rail

I<sub>pk</sub> rated peak withstand current: 20kA

Product certification: TUV, CE, RoHS

Protective treatment: TH

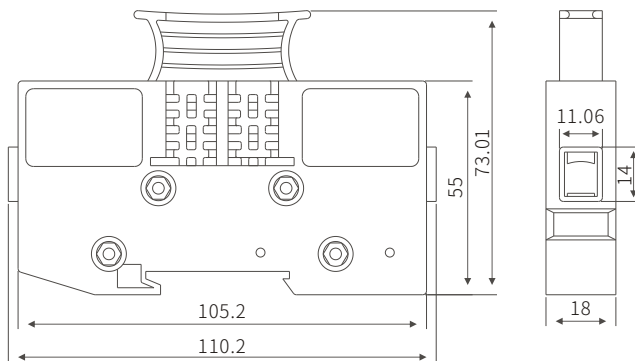
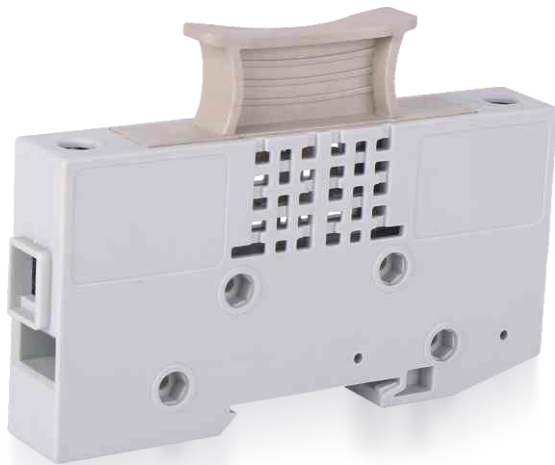
Storage environment temperature: -40~80°C

Standard: GB14048 IEC60269

## 光伏熔断器

Photovoltaic Fuse

ARD-32A/1500V-10x65



### 主要技术参数

额定电压：1500VDC

额定电流：32A

适配熔芯规格：10x65mm

保护特性：gPV

壳体材料：PA66

耐受温度：-40°C~120°C

外壳阻燃等级：UL94-V0

配装导轨规格：TH35

接线螺钉力矩：2.5N.m~3N.m

导体截面积：2.5~16mm<sup>2</sup>

安装支持：导轨

I<sub>pk</sub> 额定峰值耐受电流：20kA

产品认证：TUV、CE、RoHS

保护性处理：TH

存储环境温度：-40~80°C

标准：GB14048 IEC60269

### Main Technical Data

Rated voltage: 1500VDC

Rated current: 32A

Suitable fusible core specification: 10 x 65mm

Protection characteristics: gPV

Shell material: PA66

Temperature tolerance: -40°C~120°C

Flame retardant rating of shell: UL94-V0

Fitted rail specification: TH35

Terminal screw torque: 2.5N.m~3N.m

Conductor cross-sectional area: 2.5~16mm<sup>2</sup>

Installation support: rail

I<sub>pk</sub> rated peak withstand current: 20kA

Product certification: TUV, CE, RoHS

Protective treatment: TH

Storage environment temperature: -40~80°C

Standard: GB14048 IEC60269



## 光伏熔断器

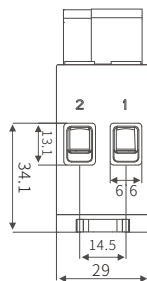
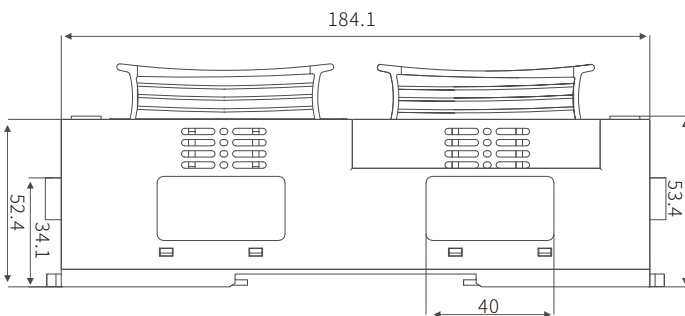
Photovoltaic Fuse

ARD-32x2/1500V-10x65



### 主要技术参数

额定电压：1500VDC  
 额定电流：32A  
 适配熔芯规格：10 x 65mm  
 保护特性：gPV  
 壳体材料：PA66  
 耐受温度：-40°C~120°C  
 外壳阻燃等级：UL94-V0  
 配装导轨规格：TH75  
 接线螺钉力矩：2.5N.m~3N.m  
 导体截面积：2.5~16mm<sup>2</sup>  
 安装支持：导轨  
 I<sub>pk</sub> 额定峰值耐受电流：20kA  
 产品认证：TUV、CE、RoHS  
 保护性处理：TH  
 存储环境温度：-40~80°C  
 标准：GB14048 IEC60269



### Main Technical Data

Rated voltage: 1500VDC  
 Rated current: 32A  
 Suitable fusible core specification: 10 x 65mm  
 Protection characteristics: gPV  
 Shell material: PA66  
 Temperature tolerance: -40°C~120°C  
 Flame retardant rating of shell: UL94-V0  
 Fitted rail specification: TH75  
 Terminal screw torque: 2.5N.m~3N.m  
 Conductor cross-sectional area: 2.5~16mm<sup>2</sup>  
 Installation support: rail  
 I<sub>pk</sub> rated peak withstand current: 20kA  
 Product certification: TUV, CE, RoHS  
 Protective treatment: TH  
 Storage environment temperature: -40~80°C  
 Standard: GB14048 IEC60269

## 光伏熔断器

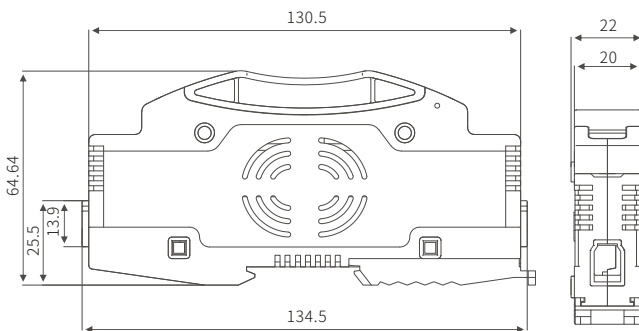
Photovoltaic Fuse

ARD-32B(X)/1500V-10(14)x85



### 主要技术参数

额定电压: 1500VDC  
 额定电流: 50A  
 适配熔芯规格: 10/14 x 85mm  
 保护特性: gPV  
 壳体材料: PBT  
 耐受温度: -40°C~120°C  
 外壳阻燃等级: UL94-V0  
 配装导轨规格: TH35  
 接线螺钉力矩: 2.5N.m~3N.m  
 导体截面积: 2.5~16mm<sup>2</sup>  
 安装支持: 导轨  
 I<sub>pk</sub> 额定峰值耐受电流: 20kA  
 产品认证: TUV、CE、RoHS  
 保护性处理: TH  
 存储环境温度: -40~80°C  
 标准: GB14048 IEC60269



### Main Technical Data

Rated voltage: 1500VDC  
 Rated current: 50A  
 Suitable fusible core specification: 10/14 x 85mm  
 Protection characteristics: gPV  
 Shell material: PBT  
 Temperature tolerance: -40°C~120°C  
 Flame retardant rating of shell: UL94-V0  
 Fitted rail specification: TH35  
 Terminal screw torque: 2.5N.m~3N.m  
 Conductor cross-sectional area: 2.5~16mm<sup>2</sup>  
 Installation support: rail  
 I<sub>pk</sub> rated peak withstand current: 20kA  
 Product certification: TUV, CE, RoHS  
 Protective treatment: TH  
 Storage environment temperature: -40~80°C  
 Standard: GB14048 IEC60269



## 以塑代钢将成为必然趋势

Substituting plastic for steel will become an inevitable trend

工程塑料具有优良的综合性能，刚性大，蠕变小，机械强度高，耐热性好，电绝缘性好，可在较苛刻的化学、物理环境中长期使用，可替代金属作为工程结构材料使用，在材料领域中占据重要的地位。

SMC、PC等工程塑料在机械性能、耐久性、耐腐蚀性、耐热性等方面能达到更高的要求，而且加工更方便并可替代金属材料随着材料技术及设计工艺的提升，SMC工程塑料替代金属材料应用日益增多，以塑代钢已成为国际流行趋势。

Engineering plastics have excellent comprehensive properties, large rigidity, small creep, high mechanical strength, good heat resistance, and good electrical insulation. They can be used for a long time in harsh chemical and physical environments and can replace metals as engineering structural materials. Occupies an important position in the field of materials.

SMC, PC and other engineering plastics can meet higher requirements in terms of mechanical properties, durability, corrosion resistance, heat resistance, etc., and are more convenient to process and can replace metal materials. With the improvement of material technology and design process, SMC Engineering The application of plastics to replace metal materials is increasing, and it has become an international trend to replace steel with plastics.

## 密封箱生产流程

Production process of sealed box



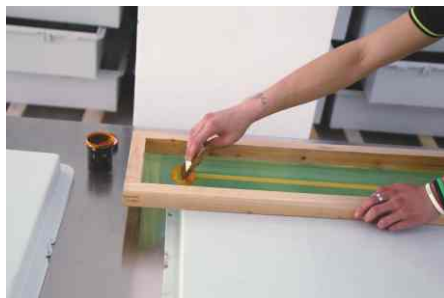
压塑 Compression Molding



注塑 Injection Molding



数位开孔 CNC Opening



丝印 Screen Printing



攻丝 Tapping



激光打标 Laser Marking



安装底板 Install the base plate



安装配件 Installation Accessories



箱体总装流水线 Box Assembly Line



使用案例

Product case



水上光伏项目  
Water photovoltaic project



山西吕梁130兆瓦光伏电站全部使用爱浦克施塑箱  
All 130 MW photovoltaic power plants in Luliang, Shanxi use IPKIS plastic boxes



合作伙伴阳光电源越南1500V光伏电站  
Partner Sunshine Power Vietnam 1500V Photovoltaic Power Station .  
该项目共使用我司SMC密封箱1735台  
The project uses a total of 1735 SMC sealed boxes.

使用案例

Product case



DC11 00V 双熔芯光伏直流汇流箱  
 Double fuse PhotovoltaicDC combinewr box



下进下出式光伏交流汇流箱  
 Down into and out of the photovoltaic combiner box



内配里门箱  
 Inner door box



内配里门排骨式箱  
 Inner door ribs box



## SMC压塑密封箱概述

### Overview of SMC compression molded sealing box

在光伏产业，目前欧美发达国家在光伏设备SMC汇流箱的使用比例已达53%，而国内才刚刚起步，比例仅为16%。而就在两年前这个比例还不足5%。由于汇流箱都用于户外等恶劣环境下，对箱体抗腐蚀性、使用寿命、抗冲击、耐候性、以及对箱体内元器件保护防护等级等核心要求非常高。相比金属箱体，SMC箱体的抗腐蚀性是金属的2倍，使用寿命是金属的2~3倍，抗冲击性和耐候性能均超过金属箱体，防护等级比金属箱体提高22%，爱浦克施更创新定制了硅胶密封条，防护等级可达IP67，是水上光伏项目的必选产品。所以，目前国内光伏厂商均开始研制并使用以SMC工程塑料为主的汇流箱，相信不用几年，可跟上或超过金属箱的使用比例。

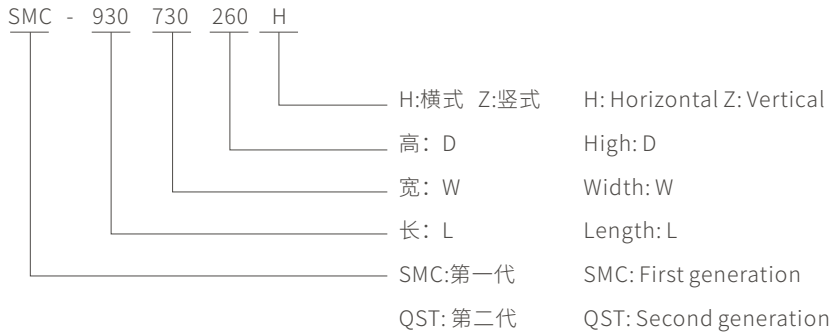
爱浦克施经过几年的潜心实践，以敢为天下先的魄力，经过充分市场调研，第一代推出了独特的930X730X260、730X580X260二种规格四种用途，并投入全流程生产设备全在公司生产加工，引起了业界的关注和好评；现在很快又推出了第二代933X733X260、733X733X260产品，并注册了潜水艇商标，作为塑料防护密封箱的专用品牌，以满足客户不断提升的需求。

In the photovoltaic industry, the proportion of SMC combiner boxes used in photovoltaic equipment in developed countries in Europe and the United States has reached 53%, while the proportion in China is only 16%. And just two years ago this ratio was still less than 5%. Because combiner boxes are used in harsh environments such as outdoors, they have very high core requirements on the corrosion resistance, service life, impact resistance, weather resistance, and protection level of the components in the box. Compared with the metal box, the corrosion resistance of the SMC box is twice that of the metal, and the service life is 2 to 3 times that of the metal. The impact resistance and weather resistance are both higher than the metal box, and the protection level is 22 times higher than that of the metal box. %, IPKIS has more innovatively customized silicone sealing strips, with a protection level of IP67, which is a must-select product for water photovoltaic projects. Therefore, at present, domestic photovoltaic manufacturers have begun to develop and use combiner boxes based on SMC engineering plastics. It is believed that within a few years, they can keep up or exceed the proportion of metal boxes.

After several years of concentrated practice, with the courage to be the first in the world, after full market research, the first generation launched the unique 930X730X260 and 730X580X260 two specifications and four uses, and invested the whole process production equipment in the company. The production and processing has attracted the attention and praise of the industry; now the second generation 933X733X260 and 733X733X260 products have been launched soon, and the submarine trademark has been registered as a special brand for plastic protective sealed boxes to meet the increasing needs of customers.

## 玻璃钢塑料密封箱型号含义

Model meaning of FRP plastic sealed box



## 主要技术参数

Main Technical Data

压塑密封箱订货号 Order No.	尺寸 Size (mm)					
	长 Length	宽 width	高 height	可用深度 Available depth	底板安装 Base plate installation	墙壁安装 Wall installation
材质(Material)SMC	L	W	D	C	B×A	E×S
SMC-930730260H	930	730	260	230	816X620	816X701
SMC-930730260Z	930	730	260	230	816X620	897X620
SMC-730580260H	730	580	260	230	621X470	621X551
SMC-730580260Z	730	580	260	230	621X470	702X470
QST-933733260H	933	733	260	230	790X590	790X672
QST-733733260	733	733	260	230	590X590	672X590

L外部高度

W外部宽度

Z外部深度

C可用深度

B底板安装

A底板安装

E墙壁安装

S墙壁安装

L outer height

W outer width

Z outer depth

C available depth

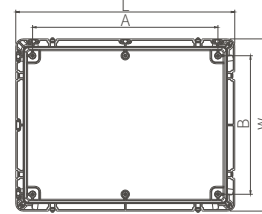
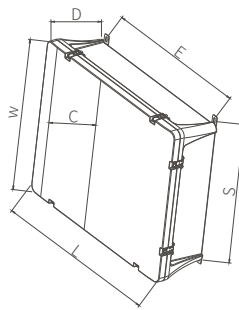
B bottom plate installation

A base plate installation

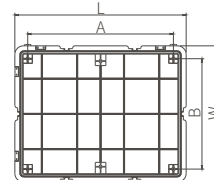
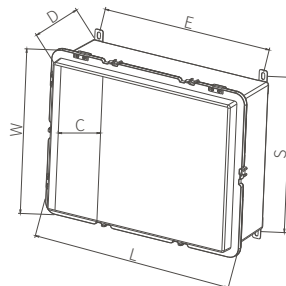
E wall installation

S wall installation

SMC



QST

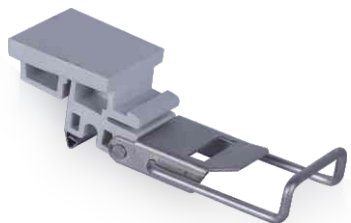






## 适用配件

### Applicable accessories



订货号 Order No.	名称 Name
10740001	QST箱304不锈钢搭扣 QST box 304 stainless steel buckle



订货号 Order No.	名称 Name
12640004	QST箱304不锈钢挂锁 QST box 304 stainless steel padlock



订货号 Order No.	名称 Name
12640005	QST箱304不锈钢铰链 QST box 304 stainless steel hinge



订货号 Order No.	名称 Name
12230000	QST箱733733260安装底板 QST box 733733260 mounting base plate
12230001	QST箱933733260安装底板 QST box 933733260 mounting base plate



## 挂墙式注塑密封箱概述

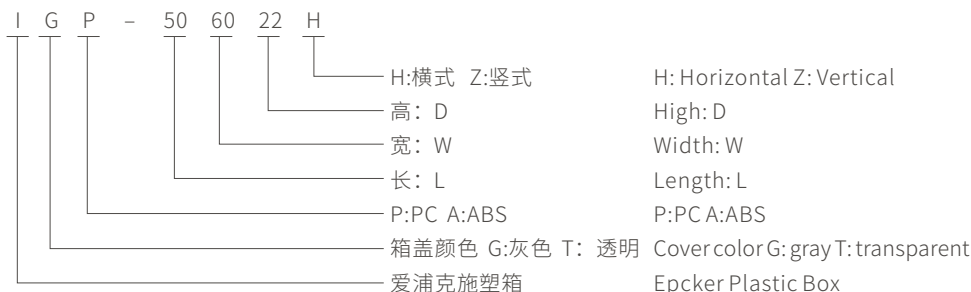
Overview of wall-mounted injection molding sealed box

爱浦克施挂墙式注塑密封箱系列产品，采用抗冲击的聚碳酸酯PC或ABS材质注塑成型，其气密性可适用于严苛、恶劣的工业环境，防护等级可达IP65;箱体可搭配相关附件，方便地按需进行横装或竖装，也可安装前板（里门），底板可选择塑料或金属材质，这款产品可广泛应用于光伏太阳能、石化钢铁矿山、地铁隧道等环境恶劣的领域。

IPKIS wall-mounted injection molding sealed box series products are made of impact-resistant polycarbonate PC or ABS material injection molding, and its air tightness can be applied to harsh and harsh industrial environments, protection, etc. The class can reach IP65; the cabinet can be equipped with related accessories, which can be easily installed horizontally or vertically as required. The front panel (inside door) can also be installed. The bottom panel can be made of plastic or metal. This product can be widely used in photovoltaic solar energy, Petrochemical steel mines, subway tunnels and other areas with harsh environments.

## 玻璃钢塑料密封箱型号含义

Model meaning of FRP plastic sealed box

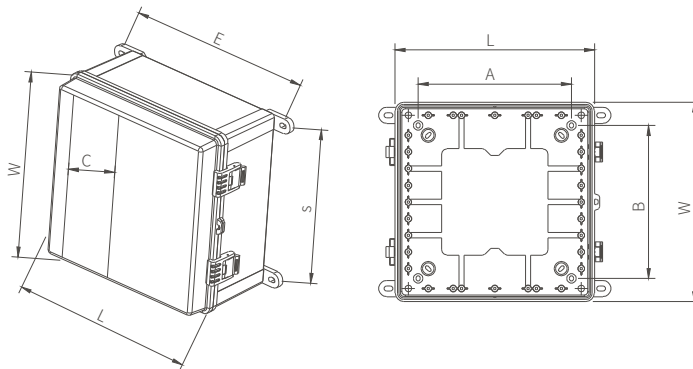


## 主要技术参数

Main Technical Data

压塑密封箱订货号 Order No.		尺寸 Size (mm)						
		长 Length	宽 width	高 height	可用深度 Available depth	底板安装 Base plate installation	墙壁安装 Wall installation	
PC	ABS	L	W	D	C	B×A	E×S	
IG(T)P-506022H	IG(T)A-506022H	600	500	220	148	560X460	560X515	
IG(T)P-506022Z	IG(T)A-506022Z	600	500	220	148	560X460	615X460	
IG(T)P-406022H	IG(T)A-406022H	600	400	200	148	560X360	560X415	
IG(T)P-406022Z	IG(T)A-406022Z	600	400	200	148	560X360	615X360	
IG(T)P-405020H	IG(T)A-405020H	500	400	200	128	460X360	460X415	
IG(T)P-405020Z	IG(T)A-405020Z	500	400	200	128	460X360	515X360	
IG(T)P-304017H	IG(T)A-304017H	400	300	170	109	360X260	360X315	
IG(T)P-304017Z	IG(T)A-304017Z	400	300	170	109	360X260	415X260	
IG(T)P-303017	IG(T)A-303017	300	300	170	109	260X260	315X260	
IG(T)P-203017H	IG(T)A-203017H	300	200	170	109	260X160	260X215	
IG(T)P-203017Z	IG(T)A-203017Z	300	200	170	109	260X160	315X160	

L外部高度 L outer height  
W外部宽度 W outer width  
Z外部深度 Z outer depth  
C可用深度 C available depth  
B底板安装 B bottom plate installation  
A底板安装 A base plate installation  
E墙壁安装 E wall installation  
S墙壁安装 S wall installation



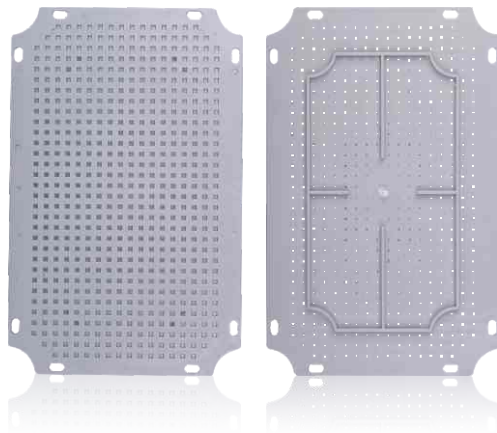


## 适用配件

### Applicable accessories



订货号 Order No.	名称 Name
12240006	塑料箱安装脚 Plastic box mounting feet



订货号 Order No.	名称 Name
12250000	塑料箱塑料底板 适配20*30*17 Plastic box plastic base plate suitable for 20 * 30 * 17
12250001	塑料箱塑料底板 适配30*30*17 Plastic box with plastic bottom plate suitable for 30 * 30 * 17
12250002	塑料箱塑料底板 适配30*40*17 Plastic box with plastic bottom plate suitable for 30 * 40 * 17
12250003	塑料箱塑料底板 适配40*50*20 Plastic box plastic base plate suitable for 40 * 50 * 20
12250004	塑料箱塑料底板 适配40*60*22 Plastic box plastic base plate suitable for 40 * 60 * 22
12250005	塑料箱塑料底板 适配50*60*22 Plastic box plastic base plate suitable for 50 * 60 * 22



订货号 Order No.	名称 Name
12260000	塑料箱镀锌板底板 适配20*30*17 Galvanized plate bottom plate of plastic box is suitable for 20 * 30 * 17
12260001	塑料箱镀锌板底板 适配30*30*17 Plastic box galvanized plate bottom plate suitable for 30 * 30 * 17
12260002	塑料箱镀锌板底板 适配30*40*17 Plastic box galvanized plate bottom plate suitable for 30 * 40 * 17
12260003	塑料箱镀锌板底板 适配40*50*20 Galvanized plate bottom plate of plastic box is suitable for 40 * 50 * 20
12260004	塑料箱镀锌板底板 适配40*60*22 Galvanized plate bottom plate of plastic box is suitable for 40*60*22
12260005	塑料箱镀锌板底板 适配50*60*22 Plastic box galvanized plate bottom plate suitable for 50 * 60 * 22



## AMC4连接器概述

### AMC4 connector overview

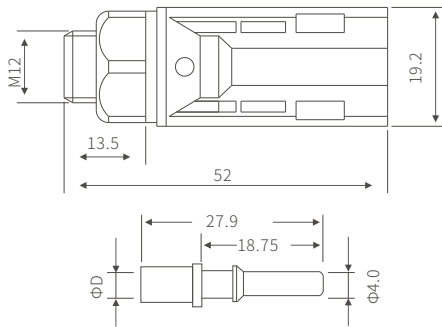
爱浦克施AMC4光伏连接器主体材料采用进口PPO/PC工程塑料，具有极强的抗老化、耐紫外线能力，使用寿命25年以上；其五金插件采用优质铜材和达到认证标准的锡镀层，接触可靠性高，插拔寿命长；产品使用高精密度模具，保证尺寸精准，对插后接触密封性良好，防护等级可达IP67以上，可广泛应用在光伏电站的线端和板端中。

The main material of the AMC4 photovoltaic connector adopts imported PPO/PC engineering plastic, which has strong anti-aging and ultraviolet resistance, and has a service life of more than 25 years; its hardware plug-in adopts High-quality copper material and tin plating that meets the certification standards, high contact reliability, long insertion and removal life; the product uses high-precision molds to ensure accurate size, good contact sealing after insertion, and the protection level can reach IP67 or more, which can be widely used In the line end and board end of the photovoltaic power station.

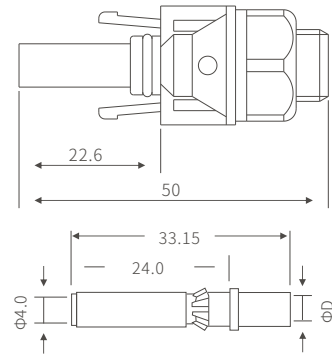




A连接器  
A connector



B连接器  
B connector



订货代号 Order code	零部件代号 Part code		适用电缆规格 Applicable cable specifications	
	连接器 Connector	端子 Terminal	导体截面(mm) Conductor section	电缆外径(φDmm) Cable outer diameter
AMC4.0-B0201-14	AMC4.0-B02G-14	AWG 14(2.5mm <sup>2</sup> )		
AMC4.0-B0201-12	AMC4.0-B02G-12	AWG 12(4.0mm <sup>2</sup> )		
AMC4.0-B0201-10	AMC4.0-B02G-10	AWG 10(6.0mm <sup>2</sup> )	φ4.5~φ8.5	
	AMC4.0-B0201-H	AWG 14(2.5mm <sup>2</sup> )		
AMC4.0-B0201-01	AMC4.0-B02G-01	AWG 12(4.0mm <sup>2</sup> )		
		AWG 10(6.0mm <sup>2</sup> )		

订货代号 Order code	零部件代号 Part code		适用电缆规格 Applicable cable specifications	
	连接器 Connector	端子 Terminal	导体截面(mm) Conductor section	电缆外径(φDmm) Cable outer diameter
AMC4.0-B0202-14	AMC4.0-B02M-14	AWG 14(2.5mm <sup>2</sup> )		
AMC4.0-B0202-12	AMC4.0-B02M-12	AWG 12(4.0mm <sup>2</sup> )		
AMC4.0-B0202-10	AMC4.0-B02M-10	AWG 10(6.0mm <sup>2</sup> )	φ4.5~φ8.5	
	AMC4.0-B0202-H	AWG 14(2.5mm <sup>2</sup> )		
AMC4.0-B0202-01	AMC4.0-B02M-01	AWG 12(4.0mm <sup>2</sup> )		
		AWG 10(6.0mm <sup>2</sup> )		

### 技术参数

额定电流 Rated current	30A
额定电压 Rated voltage	1000V DC
测试电压 Test voltage	6000V(50Hz, 1min)
过电压类型/污染指数 Overvoltage type/pollution index	CAT III/2
连接器接触电阻 Connector contact resistance	≤5mΩ
连接器导体材料 Connector conductor material	铜, 镀锡/银
连接器绝缘材料 Connector insulation material	PPO/PC

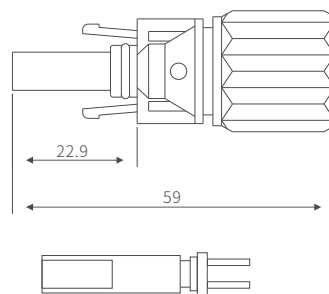
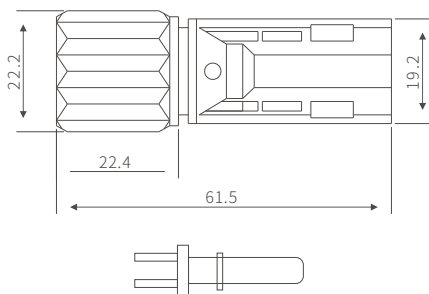
### Specifications

保护等级 Protection level	IP2*/IP67
阻燃等级 Flammability rating	UL94-V0
安全型 Safe type	II
适配线径 Adapted wire diameter	2.5mm <sup>2</sup> ~6mm <sup>2</sup> /14AWG~10AWG
插入力 Insertion force	≤50N
拔出力 Pull out force	≤50N
工作温度范围 range of working temperature	-40°C~+85°C



A连接器  
A connector

B连接器  
B connector



订货代号 Order code	零部件代号 Part code		适用电缆规格 Applicable cable specifications		电缆外径(φDmm) Cable outer diameter
	连接器 Connector	端子 Terminal	导体截面(mm) Conductor section	导体截面(mm) Conductor section	
AMC4.0-X0201-14		AMC4.0-X02G-14	14(2.5mm <sup>2</sup> )	AWG	φ4.5~φ8.5
AMC4.0-X0201-12		AMC4.0-X02G-12	12(4.0mm <sup>2</sup> )	AWG	
AMC4.0-X0201-10	AMC4.0-X0201-H	AMC4.0-X02G-10	10(6.0mm <sup>2</sup> )	AWG	
				14(2.5mm <sup>2</sup> )	
AMC4.0-X0201-01		AMC4.0-X02G-01	12(4.0mm <sup>2</sup> )	AWG	
			10(6.0mm <sup>2</sup> )	AWG	

订货代号 Order code	零部件代号 Part code		适用电缆规格 Applicable cable specifications		电缆外径(φDmm) Cable outer diameter
	连接器 Connector	端子 Terminal	导体截面(mm) Conductor section	导体截面(mm) Conductor section	
AMC4.0-X0202-14		AMC4.0-X02M-14	14(2.5mm <sup>2</sup> )	AWG	φ4.5~φ8.5
AMC4.0-X0202-12		AMC4.0-X02M-12	12(4.0mm <sup>2</sup> )	AWG	
AMC4.0-X0202-10	AMC4.0-X0202-H	AMC4.0-X02M-10	10(6.0mm <sup>2</sup> )	AWG	
				14(2.5mm <sup>2</sup> )	
AMC4.0-X0202-01		AMC4.0-B02M-01	12(4.0mm <sup>2</sup> )	AWG	
			10(6.0mm <sup>2</sup> )	AWG	

## 技术参数

额定电流 Rated current	30A
额定电压 Rated voltage	1000V DC
测试电压 Test voltage	6000V(50Hz, 1min)
过电压类型/污染指数 Overvoltage type/pollution index	CAT III/2
连接器接触电阻 Connector contact resistance	≤5mΩ
连接器导体材料 Connector conductor material	铜, 镀锡/银
连接器绝缘材料 Connector insulation material	PPO/PC

## Specifications

保护等级 Protection level	IP2*/IP67
阻燃等级 Flammability rating	UL94-V0
安全型 Safe type	II
适配线径 Adapted wire diameter	2.5mm <sup>2</sup> ~6mm <sup>2</sup> /14AWG~10AWG
插入力 Insertion force	≤50N
拔出力 Pull out force	≤50N
工作温度范围 range of working temperature	-40°C~+85°C

## 塑料电缆防水接头

### Plastic Cable Gland

#### 概述

##### Overview

爱浦克施塑料电缆防水接头是公司为了更好地为光伏汇流箱配套而推出的产品，目前先推出德制AC-PG系列和公制AC-M系列防水接头，并依据光伏行业的要求，制定了生产标准，外壳采用有UL黄卡认证的PA66工程塑料，夹紧圈采用丁腈橡胶，抗老化，抗紫外线，可在-40至+120°C可靠工作，防护等级达到IP68，为防止设备在未使用前防尘，夹紧圈作了封口设计，在产品未穿线前夹紧圈口是封着的，接线时捅开既可。另外，考虑到光伏分正负两极，特地把防水接头分红色与黑色作为正负极分色区别供货，一目了然。

IPKIS plastic cable glands in order to better support the company's PV combiner box and the introduction of products, first introduced the current German-made series AC-PG and Metric AC-M series waterproof connectors, and in accordance with the requirements of the photovoltaic industry, the development of the production standards shell is made with a UL yellow card certification PA66 engineering plastics, clamping ring nitrile rubber, anti-aging, anti-ultraviolet, can be -40 to + 120 °C reliable operation, protection class IP68 in order to prevent the device is not used before dust, made a clamping ring seal design, the product is not threaded clamping ring before the opening is sealed with, bypassed both wiring. In addition, taking into account the positive and negative poles of the photovoltaic division, specifically the red and black waterproof connector points as the difference between positive and negative separations available at a glance.



## 光伏汇流监测一体机

Photovoltaic convergence monitoring integrated machine  
IP10-MD/8/12/16/20/24



分流式 Shunt type



霍尔式 Hall type

## 产品简介

### Product Introduction

IP10-MD4/8/12/16/20/24光伏汇流监测一体机是为满足光伏发电系统1000V等级汇流箱的需求所设计，将供电电源、母线电压采集、防雷器状态采集等与支路电流监测集成到一体，不再需要外接供电电源，功能更齐全，体积更小型化，便于安装和维护。并具有低耗电、无风扇、宽温运行、高抗干扰等特性，是一款真正的工业级产品。可采集汇流支路直流、汇流箱母线电压、箱内温度及防雷器和断路器的状态等。采用RS485接口，支持MODBUS协议。并获得CE认证及相关国家专利。

IP10-MD4/8/12/16/20/24 photovoltaic convergence monitoring integrated machine is to meet the photovoltaic power generation system Designed for the requirements of the 1000V class combiner box, it integrates the power supply, bus voltage collection, lightning arrester status collection, etc. with branch current monitoring, no need for external power supply, more complete functions, smaller size, and easy to install And maintenance. And has the characteristics of low power consumption, no fan, wide temperature operation, high anti-interference, etc., it is a real industrial-grade product. It can collect the DC of the confluence branch, the bus voltage of the combiner box, the temperature in the box, and the status of the lightning arrester and the circuit breaker. It adopts RS485 interface and supports MODBUS protocol. And obtained CE certification and related national patents.

- 本手册中图片、技术说明可能与实际有所不同，请以产品实物和使用说明书为准。产品种类繁多，未能一一尽录，详情请向我公司销售部或当地经销商查询。
- 我公司保留为产品技术进步、升级所作改动的权利，如有改动，恕不另行通知。版权所有，未经许可，任何单位或个人不得作全部或局部翻印、转载。
- The pictures and technical descriptions in this manual may be different from the actual ones, please refer to the actual product and the instruction manual. There are so many kinds of products that cannot be listed all of them. For details, please contact our sales department or local distributors.
- Our company reserves the right to make changes for product technological progress and upgrades. Any changes will be made without notice. All rights reserved. Without permission, no unit or individual may reprint or reprint in whole or in part.



在线订购  
Buy Online



微信公众号  
Shipkis



爱浦克施电力  
IPKIS POWER-TECH

上海爱浦克施电力科技股份有限公司  
SHANGHAI IPKIS POWER TECHNOLOGY CO., LTD.

上海市松江区九亭镇研展路455号汉桥文化科技园B座  
Building B, Hanqiao Culture Science & Technology Zone  
No.455, Yanzhan Road, Songjiang District, Shanghai  
邮编P. C : 201615

总机Tel : 021-51693866  
传真Fax : 021-51872552  
Http://www.ipkis.com.cn  
E-mail:ipkis@ipkis.com.cn

